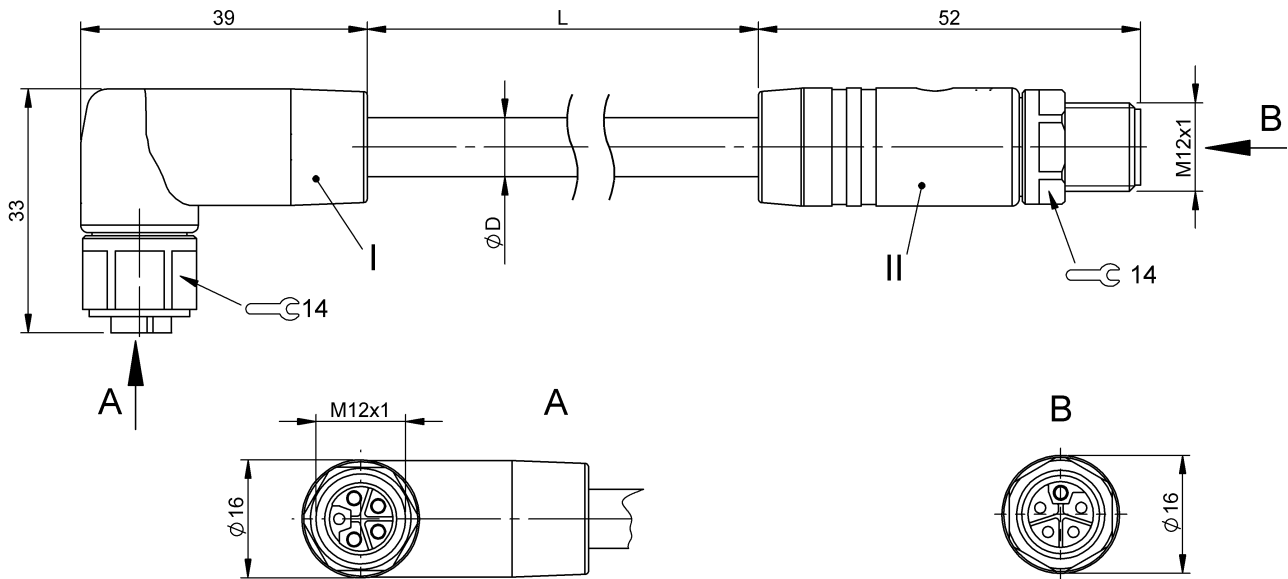


Double-Ended Cordsets
BCC S425-S415-3L-386-PX85A5-150
 Order Code: BCC0LLL

BALLUFF



Basic features

| | |
|---------------------|------------|
| Approval/Conformity | CE WEEE |
|---------------------|------------|

Electrical connection

| | |
|-------------------------------------|---------------------------------------|
| Bending radius min., fixed cable | 4 x D |
| Bending radius min., flexible cable | 7.5 x D |
| Cable | PUR gray, 15 m, drag chain compatible |
| Cable diameter D | 8.00 mm ±0.20 mm |
| Cable, bending cycles min. | 10 mil. |
| Conductor cross-section | 1.5 mm ² |
| Connection 1 | M12x1-Female, angled, 5-pin, L-coded |
| Connection 2 | M12x1-Male, straight, 5-pin, L-coded |
| Number of conductors | 5 |
| System | Molded/Molded |

Electrical data

| | |
|----------------------------------|-----------------|
| Operating voltage U _b | 60 VDC / 50 VAC |
| Rated current (40 °C) | 16.0 A |

Environmental conditions

| | |
|---------------------------------------------|-------------------------------------|
| Cable temperature UL max., fixed routing | 80 °C |
| Cable temperature UL max., flexible routing | 80 °C |
| Cable temperature, drag chain | -20...60 °C |
| Cable temperature, fixed routing | -40...90 °C |
| Cable temperature, flexible routing | -20...80 °C |
| IP rating | IP65, IP67, IP69K/IP65, IP67, IP69K |

Material

| | |
|--------------------------|-----------------------------------------------------|
| Cable jacket, material | PUR |
| Material contact carrier | PBT/PBT |
| Material contacts | Copper alloy, gold plated/Copper alloy, gold plated |
| Material cover nut | 1.4404 stainless steel/1.4404 stainless steel |
| Material grip | TPE/TPE |

Mechanical data

| | |
|---------------------------------|-----------------------|
| Acceleration max., drag chain | 50 m/s ² |
| Cable jacket, color | gray |
| Cable length L | 15.00 m |
| Cable properties | drag chain compatible |
| Tightening torque pigtail | 0.6 Nm/0.6 Nm |
| Traverse speed max., drag chain | 5 m/s |

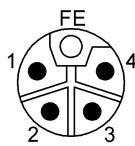
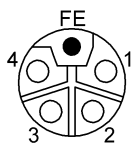
Double-Ended Cordsets
BCC S425-S415-3L-386-PX85A5-150
Order Code: BCC0LLL



Remarks

Cable construction acc. to UL-AWM Style 20939
 Flame resistance acc. to IEC 60332-1
 Flame resistance per IEC 60332-1-2
 Flame resistance acc. to UL 1581/1080 VW-1
 Halogen-free per DIN VDE 0472 Part 815
 Silicone-free
 Oil resistant per DIN EN 60811-404 (VDE 0473-811-404)
 Enclosure rating per IEC 60529 or 20653, only in screwed state with the associated mating piece.

Connector Drawings



I

PIN 1: brown
 PIN 2: white
 PIN 3: blue
 PIN 4: black
 PIN 5: pink

II

PIN 1: brown
 PIN 2: white
 PIN 3: blue
 PIN 4: black
 PIN 5: pink

Wiring Diagrams

